

Rotech Encoder

BETTER BY DESIGN

Rotech Rotary Shaft Encoder Heavy Duty Stainless Steel Shaft Monitor/Encoder

NEW
PRODUCT

APPLICATION

The 4B heavy duty stainless steel Rotech rotary shaft encoder is used primarily for protecting equipment and personnel from dangerous underspeed/belt slip conditions in extreme environments. Other applications include accurate speed control, direction of rotation detection, gate position indication and counting the number of revolutions of the shaft.

METHOD OF OPERATION

An inductive sensing device in the body of the encoder detects a steel rotor. On slow speed or accurate position control, a photodiode detects the slots on a steel disk. One pulse is created for each rotor or slot so the unit can be connected directly to a PLC/computer or 4B control module. The shaft to be monitored is drilled and tapped to take the 1/2" UNC Rotech Bolt. The unit is secured to the shaft with this bolt and is able to move with the shaft. No guards are required as the rotating components are encased inside the housing of the encoder. No brackets are required as the encoder couples directly to the end of the shaft and floats with the shaft.

FEATURES

- ▶ 304 or 316 Stainless Steel Construction
- ▶ Totally Self Contained (No Guards Required)
- ▶ Ultra Heavy Duty Design
- ▶ 1 to 1,000 Pulses Per Revolution
- ▶ Multiple Outputs AC/DC
- ▶ Intrinsically Safe Version Available
- ▶ CSA / NRTL Class II Div 1 Approved Version Available

PART NUMBERS/ACCESSORIES

- ▶ RSE304SS4VB Rotech Encoder - 304 Stainless Steel
- ▶ RSE316SS4VB Rotech Encoder - 316 Stainless Steel
- ▶ XRSE Ultra Wash Down Version (With Grease Zerk)
- ▶ SR2V1-1 Speed Relay
- ▶ TACH3V5 Tachometer



Tachometer



Speed Relay

Detailed specification, wiring diagrams and installation/operating instructions available upon request.

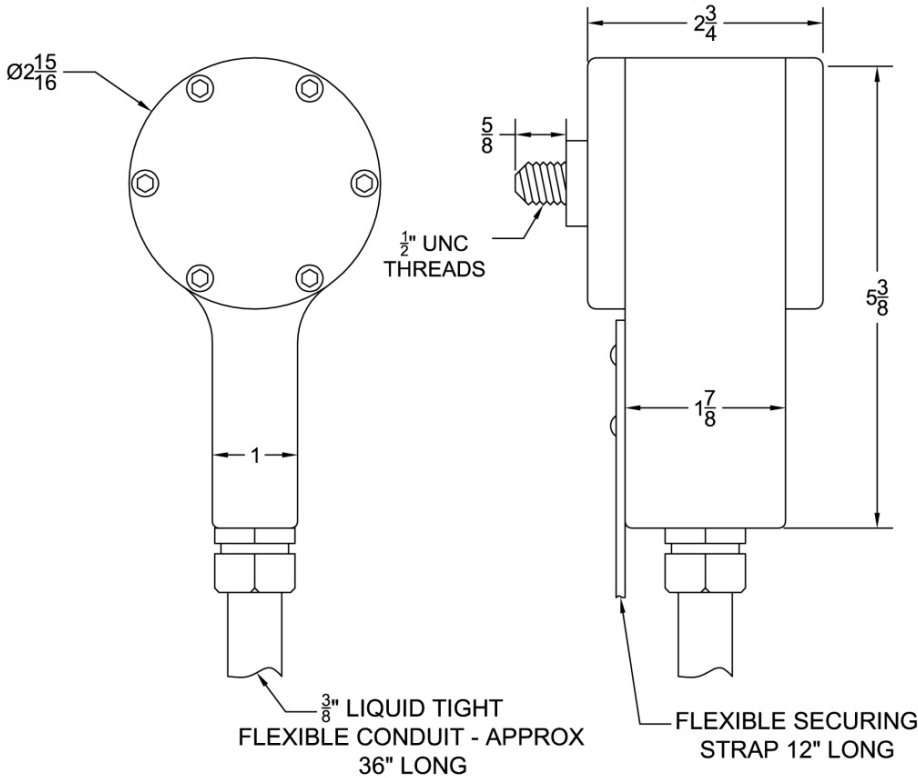
Please refer to instruction manual for correct installation. Information subject to change or correction. Nov 2010

Rotech Encoder

BETTER BY DESIGN

DIMENSIONS

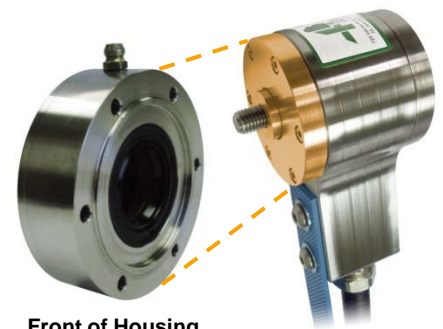
NOTE: All Dimensions In Inches



Rotech Mounted on Shaft with Mag-Con™ Magnetic Connector

TECHNICAL SPECIFICATIONS

Rotech Encoder - Stainless Steel	
Enclosure:	304 or 316 Stainless Steel (Specify)
Maximum Operating Speed:	1,000 RPM - Standard Up To 10,000 RPM - High Speed Version
Thread Size:	1/2" UNC or 12 mm
Temperature:	-13°F to 302°F
Weight:	6.75 lbs.
Protection:	IP67
Approved Versions Available:	CSA / NRTL Class II Div 1 (U.S. & Canada) Intrinsically Safe



Front of Housing
XRSE Version
(Factory Installed)

Rotech Encoder

BETTER BY DESIGN

ROTECH SELECTION GUIDE



Stainless Steel Encoder
Model RSE304SS
Model RSE316SS

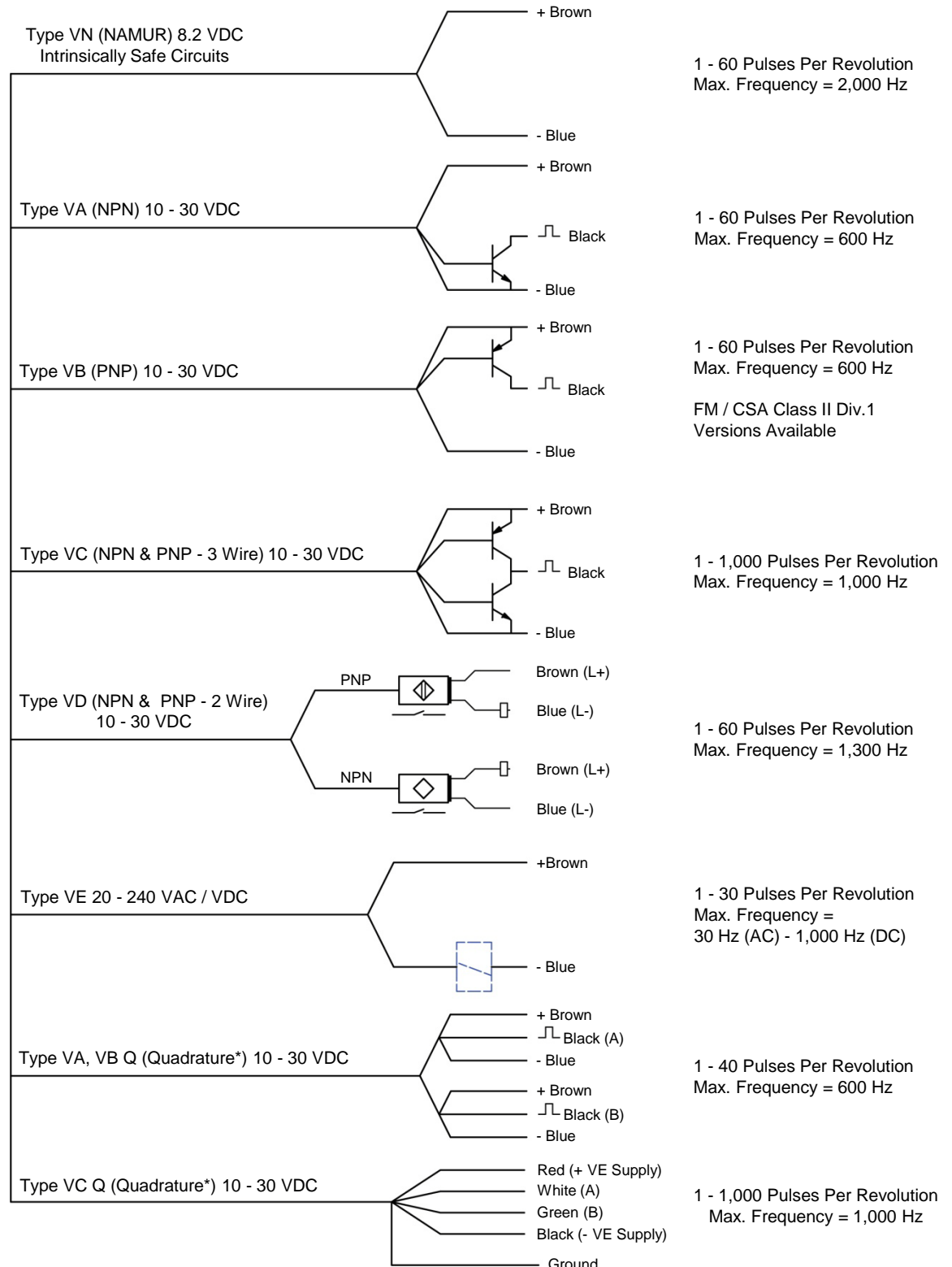
PRODUCT TYPE

Output Type is Dependent
Upon Chosen Pulse Rate

ORDER CODE EXAMPLE: RSE304SS-4-VA

- Model = RSE304SS
- Pulses Per Revolution = 4
- Electrical Outputs = VA

*NOTE: Quadrature versions
provide both speed
& direction of rotation.



Available Pulse Rates (PPR) - 1,2,4,5,6,8,10,12,16,20,30,32,40,50,60,100,120,180,240,250,300,360,500,1000 (Dependent Upon Output Type)

Detailed specification, wiring diagrams and installation/operating instructions available upon request.

Please refer to instruction manual for correct installation.
Information subject to change or correction. Nov 2010