

WDB3 Series

Bearing Temperature Sensors

APPLICATION

For use on any application where bearing temperature monitoring is desired or required.

METHOD OF OPERATION

The WDB3 series has a NTC thermistor for continuous bearing temperature monitoring. The sensor is designed to be adjustable and a quick fit bayonet adapter is supplied with every sensor. It can be installed in a drilled and tapped 1/8" BSPP threaded entry. A flexible cable allows for easy installation. The sensor is supplied with a 13 ft. attached cable and can be connected to a PLC or to a hazard monitoring system, such as 4B's T500 Hotbus Elite, Watchdog Elite, or T400 Elite. The connections are not polarity sensitive therefore special connection requirements are eliminated.

FEATURES

- ▶ Screw in Installation
- ▶ Fully Adjustable
- ▶ Quick Fit Bayonet Adapter
- ▶ Continuous Temperature Monitoring
- ▶ Flexible and Adjustable to 8"

PART NUMBERS

- ▶ WDB30V3CA – Bayonet Style Bearing Sensor

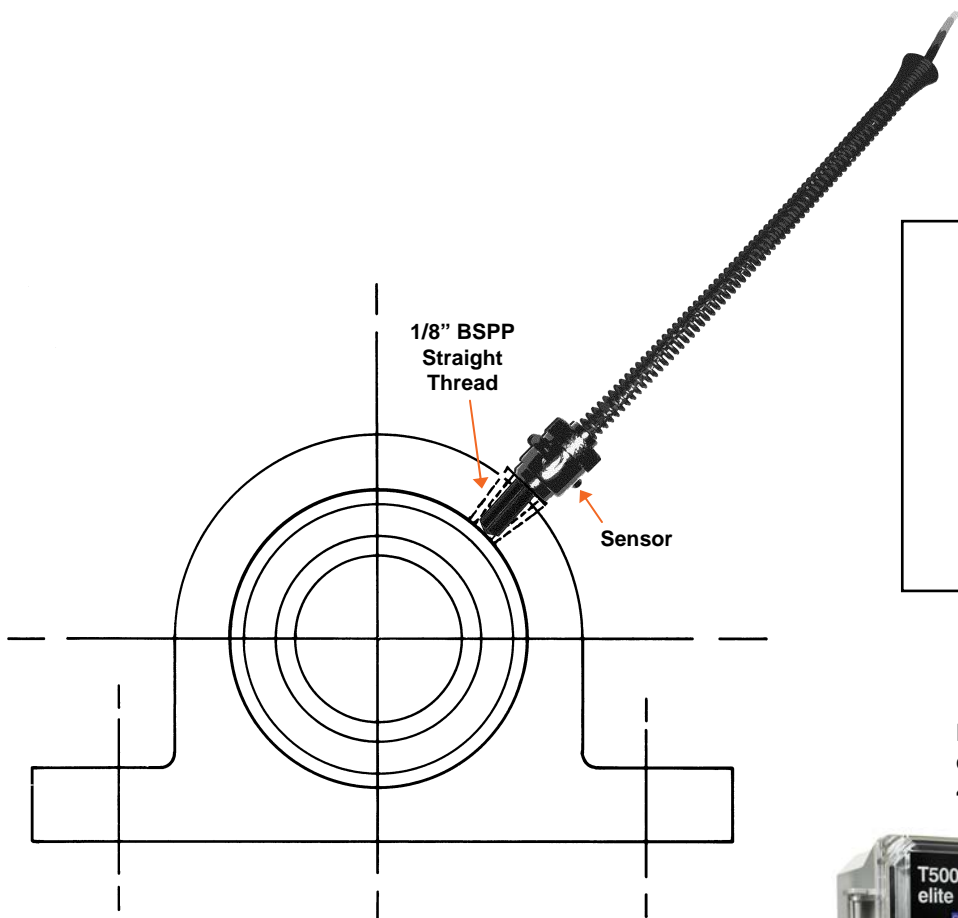


WDB30V3CA



Detailed specification, wiring diagrams and installation/operating instructions available immediately upon request.

Please refer to instruction manual for correct installation. Information subject to change or correction. March 2008.



Installation of Bearing Temperature Sensor



Example of Bearing Failure

Bearing Temperature Sensors can be used with the following 4B Hazard Monitoring Systems

TECHNICAL SPECIFICATIONS

WDB3 Series Bearing Temperature Sensors

WDB Series 3	
Resistance at 32°F:	32.6K Ohms +/- 5%
Resistance at 77°F:	10K Ohms +/- 5%
Resistance at 212°F:	678 Ohms +/- 5%
Sensing Voltage:	5 to 24 VDC
Current Draw:	1 ma
Fixing Thread:	1/8" BSPP
Cable:	2 Core (13ft. Long)
Protection:	ATEX and CE



T500 Hotbus Elite



Watchdog Elite



T400 Elite

Please refer to instruction manual for correct installation. Information subject to change or correction. March 2008.